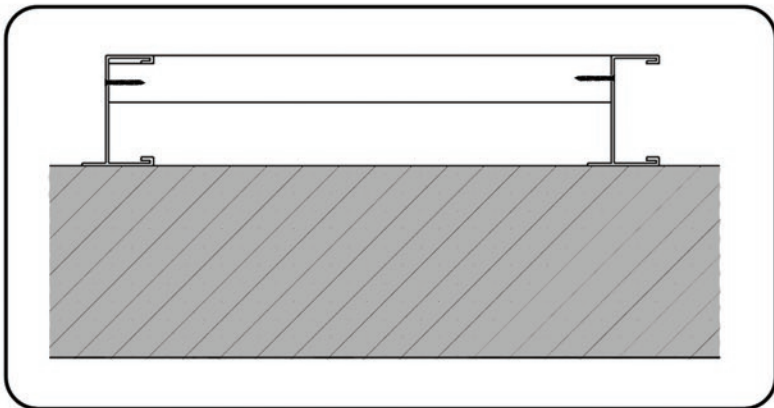
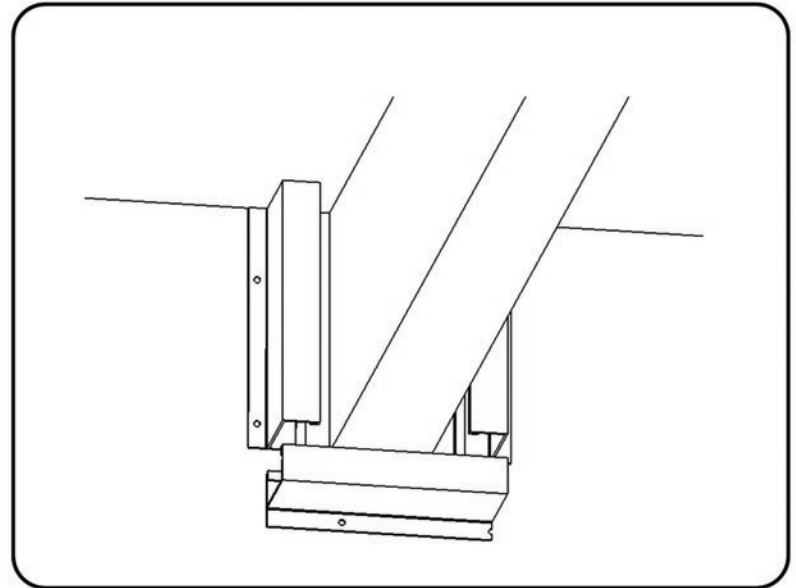


Flanged Furring Channel

Framing Around Various Objects

When framing around beams, plumbing, or other objects, use the technique described here.

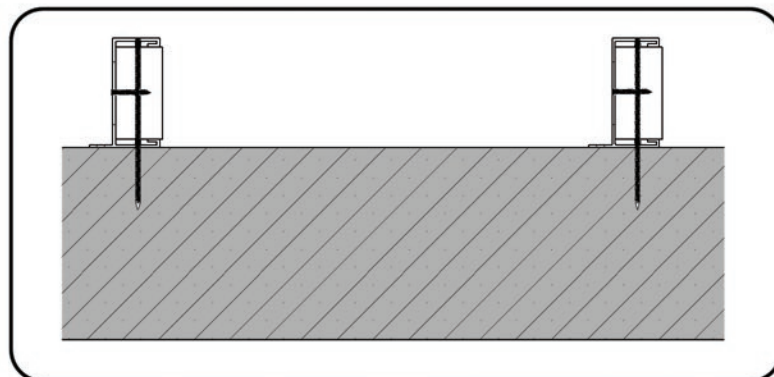
Cut EcoStuds® to fit loosely around the object. This will allow for drywall backing and the gap will allow enough room to add insulation to the cavity of the EcoStud®.



Mounting Appliances

Objects less than 5 pounds

Cut a 2x4" to 23 3/4" for studs spaced at 24" centers. Screw into 2x4's from the side of each stud as depicted.



Objects greater than 5 pounds

First, rip a wood 2x4" to 3" so it will fit inside of the EcoStud®. Then place the rip inside the EcoStud® and screw as depicted. This will insure strength for mounting heavy appliances