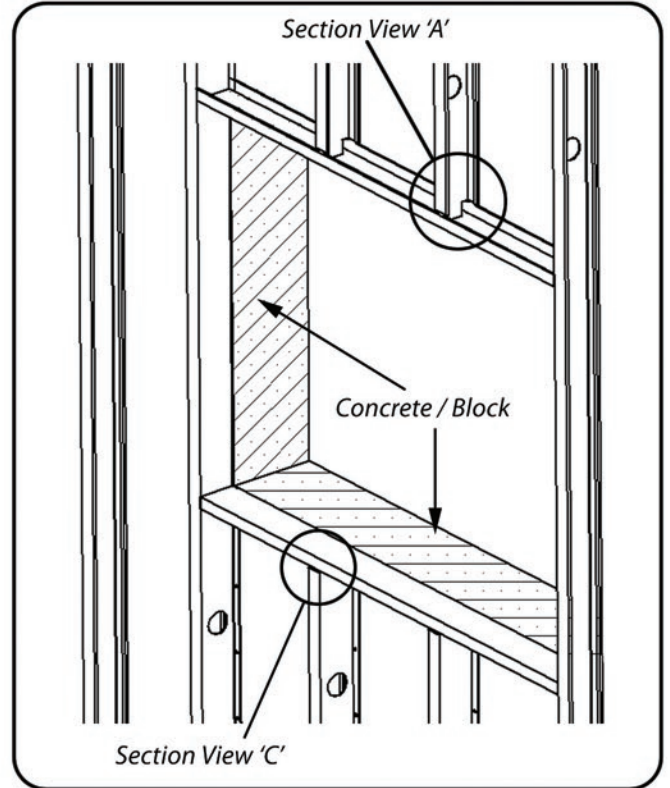
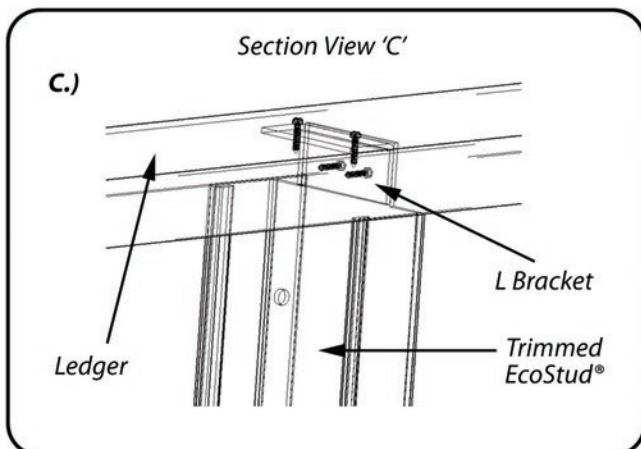
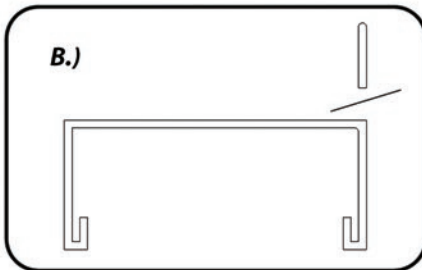
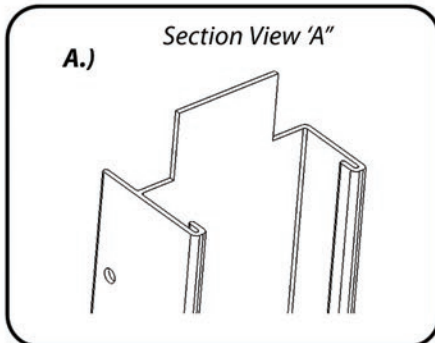


Flanged Furring Channel

Window Framing

- 1.) Cut nailing strip from the EcoStud®, to allow flush placement to the window opening. Glue and nail/screw the EcoStud® as depicted. Repeat on opposite side.
- 2.) Install remaining EcoStud® by cutting to length and gluing nail/screwing into place. Fasten to ledger or lintel using 1/2" needle pointed screws.
 - A.) The end engaging the ledger or lintel will need to be trimmed with snips or a saw
 - B.) To make ledge and lintel, cut nailing strip from EcoStud®
 - C.) Use off cuts to make "L" brackets to fasten window frames to studs using 1/2" needle pointed screws.



Base Treatment

- 1.) Rip extruded foam to size
For walls 16" on center, rip foam to 2" x 14 1/2"
For walls 24" on center, rip foam to 2" x 22 1/2"
- 2.) Glue rips to floor between the studs, flush with the interior face of the studs.

